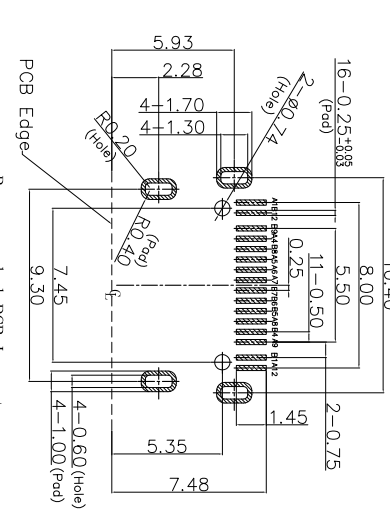
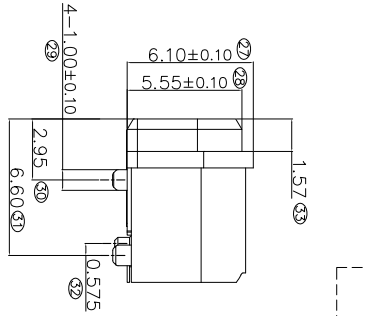
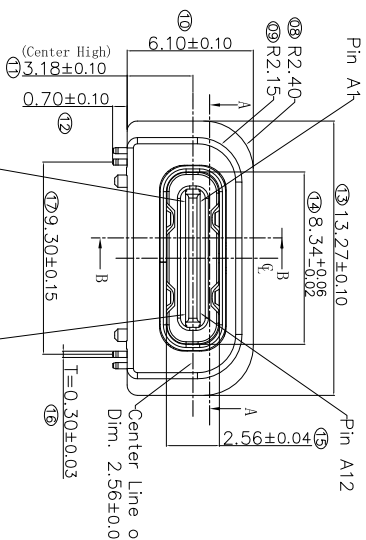
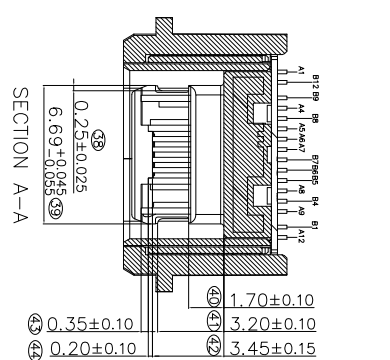
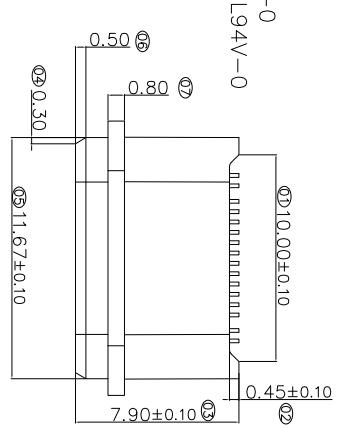
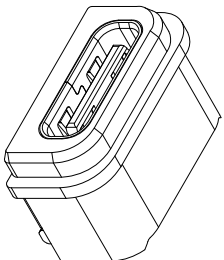
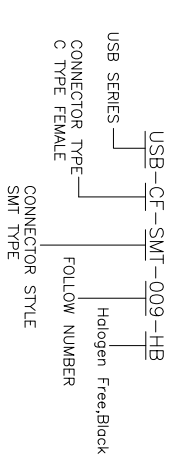


NOTE:

- Material:
All Housing: LCP(Polyplastics),Black,Thermoplastics,UL94V-0
Insulation Jacket: LCP(Polyplastics),Black,Thermoplastics,UL94V-0
Contact: Copper Alloy
Mid Plate: Stainless Steel
Outer Shell: Stainless Steel
Inner Shell: Stainless Steel
- FINISH:
Contact: Au 2u" Min. over Pd-Ni 30u" Min. on Contact Area
Au 2u" Min. on Solder Area
80~200u" Nickel Underplating Over All
Mid-Plate: 40~200u" Nickel Over All
Inner & Outer Shell: 40~200u" Nickel Over All
- Outer Shell (Insulator) Minimum Thickness 0.40mm
- Electrical Characteristics:
Current Rating: 5A For Pin(A4,A9,B4,B9)
1.25A For Others Pin
Insulation Resistance: 100MΩ Min.
Contact Resistance: 50 mΩ Max.
Dielectric Withstanding Voltage: 100V/AC 1Minute
- Mechanical Characteristics:
Insertion Force: 5~20N
Extraction Force: Initial: 8~20N
After durability: 6~20N
- Operating Temperature: -30°C TO +85°C

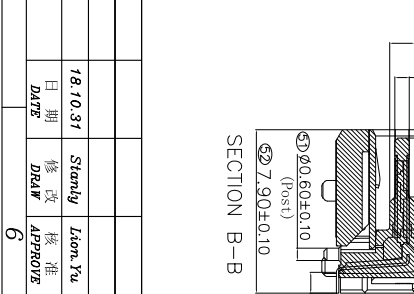
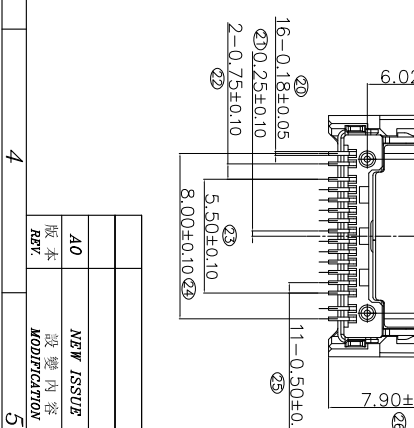
Ordering Information



PIN ASSIGNMENT

PIN NUMBER	SIGNAL NAME	PIN NUMBER	SIGNAL NAME
A1	GND	B12	GND
A2	VBUS	B11	RV+
A3	VBUS	B10	RV-
A4	VBUS	B9	VBUS
A5	CC1	B8	SR12
A6	D+	B7	D+
A7	D-	B6	D+
A8	SR11	B5	CC2
A9	VBUS	B4	VBUS
A10	VBUS	B3	RV+
A11	VBUS	B2	RV-
A12	GND	B1	GND

Item NO.	品名	料号	材料	表面处理	备注
NO.	NAME	PART NUMBER	MATERIAL	PLATING	MARK
1	Outer Shell	CUB124U-1A1-VN24	SUS304	Note.2	IPCS
2	Inner Shell	CUB125U-1A1-VN24	SUS304	Note.2	IPCS
3	Mid-Plate	CUB128U-1A1-VX00	SUS301	Note.2	IPCS
4	Second Molding	HU7110U-1A1-BM03-H			IPCS
5	Up Molding	HU7111U-1A1-BM03-H			IPCS
6	Down Molding	HU7112U-1A1-BM03-H			IPCS
7	Insulation Jacket	HUB131U-1A1-BX00-H			IPCS
8	Down Terminal	CLB127H-1B1-V403	CL8400	Note.2	IPSET
9	UP Terminal	CLB126H-1A1-V403	CL8400	Note.2	IPSET



UNIT	比例	张数	製圖	審核	DATE	DATE	DATE	DATE	DATE
mm	1:1	1/1	Standy	Standy	18.10.31	18.10.31	18.10.31	18.10.31	18.10.31

項目	內容	日期	修改	後准	審核	備註
REV	MODIFICATION	DATE	DATE	DATE	DATE	DATE
A0	NEW ISSUE					
	變更內容					