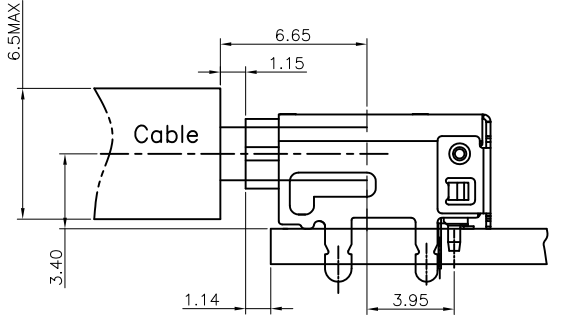
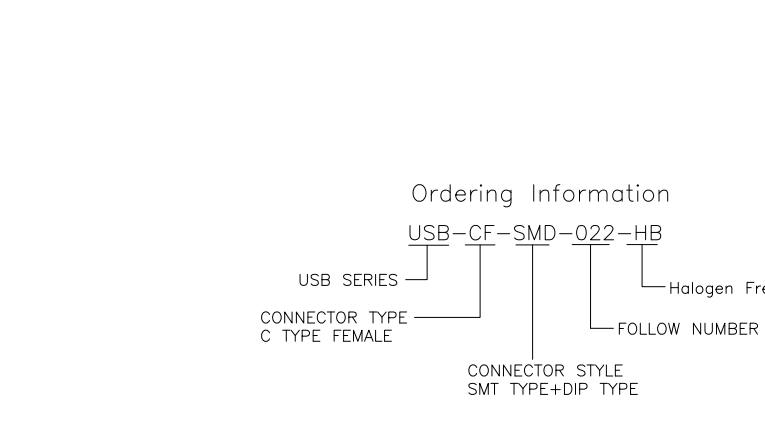
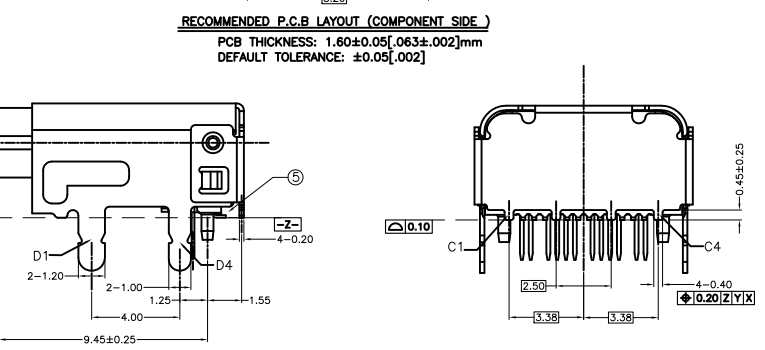
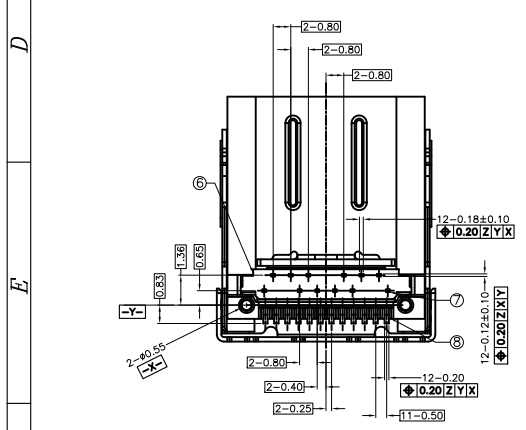
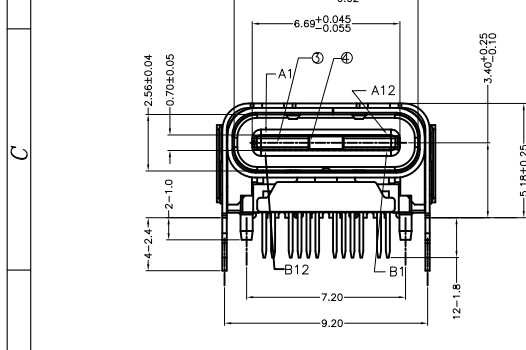
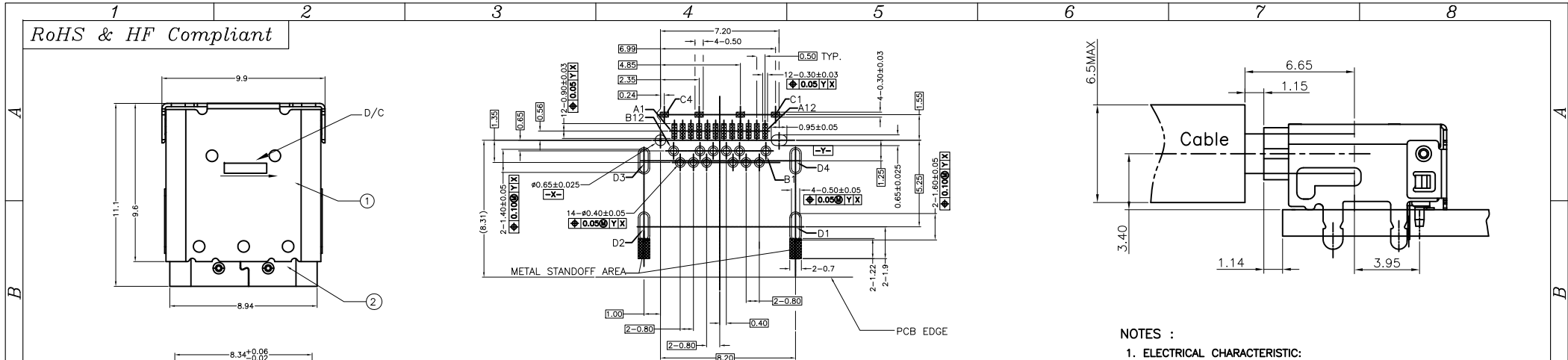


RoHS & HF Compliant



NOTES :

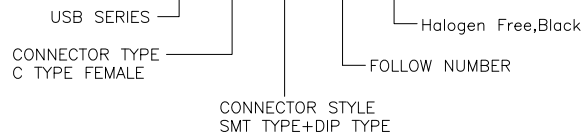
- ELECTRICAL CHARACTERISTIC:
 - CONTACT CURRENT RATING: VBUS AND GND CONTACTS RATED AT 1.25A EA., PARALLELED FOR A TOTAL OF 5A.
 - LOW LEVEL CONTACT RESISTANCE: 40 MILLIOHMS MAX. FOR VBUS, GND AND OTHER CONTACTS. 50 MILLIOHMS MAX. AFTER ENVIRONMENT TEST.
 - DIELECTRIC WITHSTANDING VOLTAGE: 100VAC (RMS)MIN.
 - INSULATION RESISTANCE: 100 MEGOHMS MIN.
- MECHANICAL CHARACTERISTIC:
 - INSERTION FORCE: 5~20N .
 - EXTRACTION FORCE: 8~20 N UP TO 1,000 MATING CYCLES, 6~20 N AFTER 1000 DURABILITY CYCLES.
 - DURABILITY: 10000 CYCLES.
 - OPERATING TEMPERATURE: -55°C ~ +85°C.
- MEET USB TYPE C STANDARD SPECIFICATION.
- DIMENSIONS ARE IN MILLIMETERS, BRACKETED DIMENSIONS ARE INCHES EQUIVALENTS.
- RECOMMENDED PROCESS: IR REFLOW 260°C, 10SECONDS.
- THE CONNECTOR COMPLIANT TO ROHS AND HALOGEN FREE .
- THE CONNECTOR It conforms to the high frequency characteristic requirements of GNE2(10G) .

PIN ASSIGNMENT:

Pin No.	Signal Name	Pin No.	Signal Name
A1	GND	B12	GND
A2	SSTxp1	B11	SSRXp1
A3	SSTXn1	B10	SSRXn1
A4	VBUS	B9	VBUS
A5	CC1	B8	SBU2
A6	Dp1	B7	Dn2
A7	Dn1	B6	Dp2
A8	SBU1	B5	CC2
A9	VBUS	B4	VBUS
A10	SSRXn2	B3	SSTXn2
A11	SSRXp2	B2	SSTXp2
A12	GND	B1	GND

Ordering Information

USB-CF-SMD-022-HB



NO.	DESCRIPTION	QTY.	MATERIAL	TREATMENT
⑧	UPPER CONTACT	12	COPPER ALLOY	NICKEL UNDERPLATING OVERALL; SELECTIVE GOLD Plated AT CONTACT AREA; LEAD FREE TIN ALLOY PLATED AT TERMINATION.
⑦	LOWER CONTACT	12	COPPER ALLOY	NICKEL UNDERPLATING OVERALL; SELECTIVE GOLD Plated AT CONTACT AREA; LEAD FREE TIN ALLOY PLATED AT TERMINATION.
⑥	LOWER IM	1	THERMOPLASTIC UL 94V-0	MOLDED COLOR: BLACK.
⑤	UPPER IM	1	THERMOPLASTIC UL 94V-0	MOLDED COLOR: BLACK.
④	CENTER IM	1	THERMOPLASTIC UL 94V-0	MOLDED COLOR: BLACK.
③	SHIELD PLATE	1	STAINLESS STEEL	NICKEL PLATING AT OVER ALL.
②	INNER SHELL	1	STAINLESS STEEL	CLEAN
①	OUTER SHELL	1	STAINLESS STEEL	NICKEL PLATING ONLY AT TAIL, Au AT TABS AND SOLDER TAIL.

REV.	DESCRIPTION	DATE	DRAWN	APPROVE
A0	NEW ISSUE	20.06.02	Frank	Jason
版本	設定內容	日期	修改	核准
REV.	MODIFICATION	DATE	DRAW	APPROVE

單位	比例	張數	製圖	審核	核准
UNIT	SCALE	SHEET	DRAWING	CHECKED	APPROVED
mm	1:1	1/1			
圖號: USB-CF-SMD-022-HB 名稱: USB3.1 Type C 24Pin CH3.4 DIP+SMT FEMALE 角法: 客户图					

Goldconn 东莞高端精密电子股份有限公司
GOLDCONN PRECISION ELECTRONICS CO.,LTD
 TOLERANCE UNLESS OTHERWISE SPECIFIED
 .X ±0.35 X* ±8°
 .XX ±0.25 X* ±5°
 .XXX ±0.15 XX* ±3°