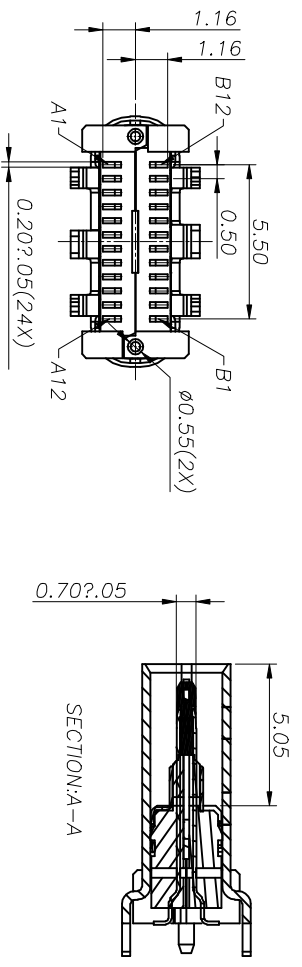
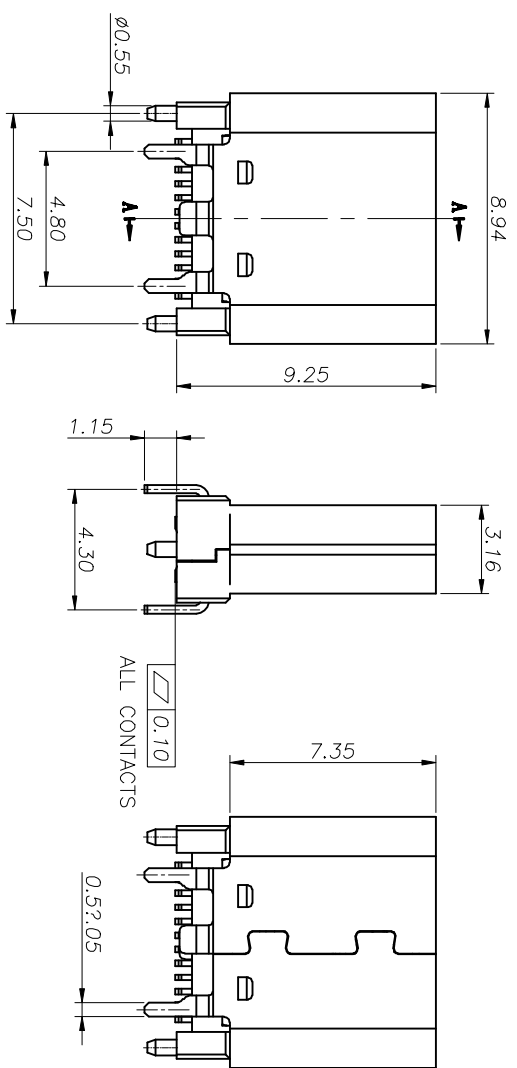
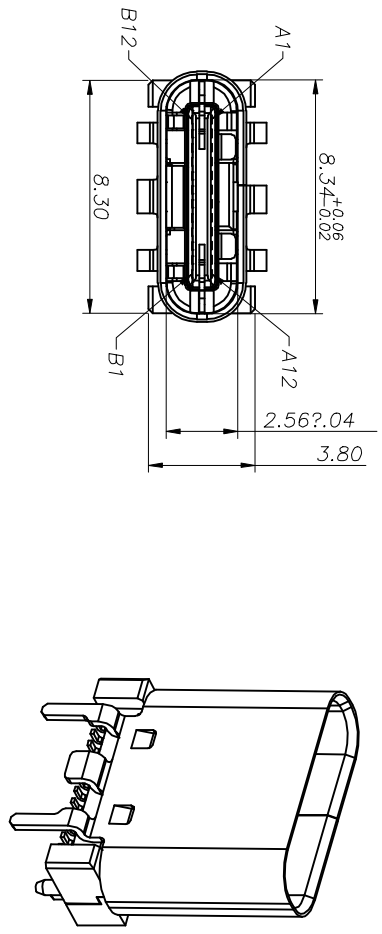


申明：凡是没有产品料号或者“PRELIMINARY”标识的产品图均为临时页面不能生产/DECLARATION: ALL PRODUCT DRAWINGS WITHOUT THE PART NUMBER OR WITH “PRELIMINARY” LABEL ARE TEMPORARY DRAWINGS CAN NOT BE PRODUCED



REV.	ECN NO.	DESCRIPTION	DATE	DESIGN
C	ECN NO.	REVISE COVER	2019.07.06	PJF
D	ECN NO.	MODIFY THE REEL SIZE	2019.12.14	SVJ

NOTE:
 1.MATERIAL SPECIFICATION:
 1.HOUSING&COVER:HIGH TEMPERATURE PLASTIC(LCP),UL94 V-0.
 2.CONTACTS:COPPER ALLOY(C1814)
 3.MID PLATE:STAINLESS STEEL(SUS301)
 4.FRONT SHELL:STAINLESS STEEL(SUS304)
 5.EMI PLATE:STAINLESS STEEL(SUS301)
 2.PLATING SPECIFICATION:
 2-1.CONTACTS:
 Ni: 50u" MIN. UNDER PLATED OVER ALL.
 Au: 50u" ON THE FUNCTIONAL AREA OF CONTACT.
 (GOLD PLATING THICKNESS FOLLOW THE P/N)
 PLATING SPECIFICATIONS OF THE SOLDER AREA FOLLOW THE P/N

2-2.FRONT SHELL:
 PLATING SPECIFICATIONS FOLLOW THE P/N
 2-3.MID PLATE&EMI PLATE:
 CLEAR ONLY
 3.MECHANICAL PERFORMANCE:
 3-1.INSERTION FORCE: 0.5~2.0kgf.
 3-2.REMOVAL FORCE: 0.8kgf~2.0kgf.
 3-3.DURABILITY: 10000 CYCLES.
 4.ELECTRICAL PERFORMANCE,
 4-1. CURRENT RATING:5.0A
 VOLTAGE RATING:5.0V

4-2. LCR:
 VBUS & GND PINS AND OTHER PINS: 40mΩ/PIN MAX.
 SHIELD: 50mΩ/MAX.
 LCR MAX. CHANGE OF ALL PINS: 10mΩ.
 4-3.INSULATION RESISTANCE: 100MΩ MIN
 4-4.DIELECTRIC WITHSTAND VOLTAGE:AC 100V FOR 1 MINUTE.
 5. ENVIRONMENTAL PERFORMANCE:
 OPERATING TEMPERATURE: -25~+85;
 6.IR REFLOW:
 THE PEAK TEMPERATURE ON THE BOARD SHALL
 BE MAINTAINED FOR 10 SECONDS AT 260.C.

TABLE 1

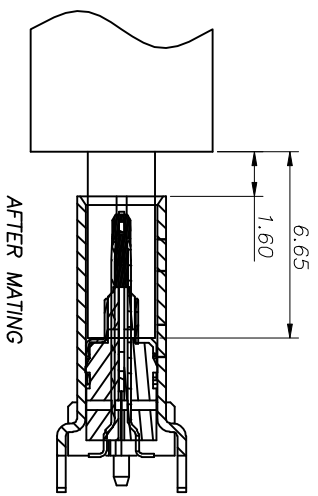
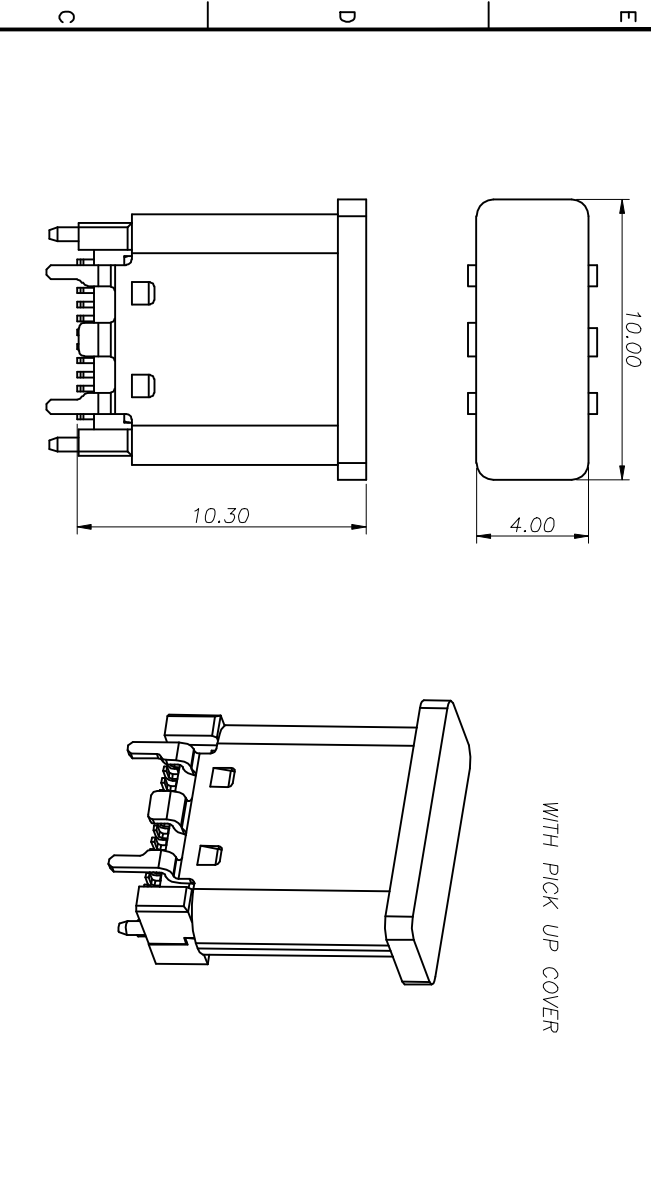
ITEM	P/N	HOUSING COLOR	FUNCTIONAL AREA/ SOLDER AREA CONTACTS	SHELL PLATING
2	014101040-067	BLACK	Au:15u"	Sn
1	014101020-067	BLACK	Au:3u"	Sn

TOLERANCE	NAME(INTENDED USE)	TITLE:
XX ±0.30 X: ±10'	CUSTOMER DRAWING	USB CF VERTICAL(L=9.2) TAIL LENGTH=1.15MM
.XX ±0.20 X: ±8'		
.XXX ±0.10 XX: ±5'		
UNITS mm	DESIGN: PJF	DRAWG NO. GAP-0141-067
MATERILA	CHED:	SCALE SHEET REV.
FINISH	APPD:	1:1 1/3 D



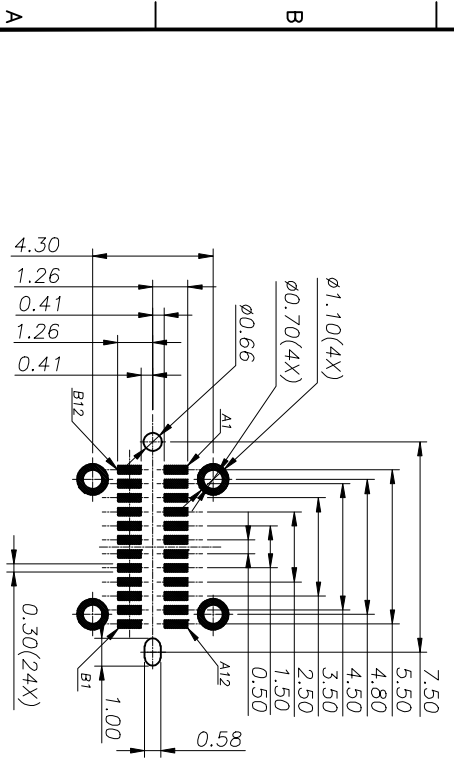
申明：凡是没有产品料号或有“PRELIMINARY”标识的产品图均为临时图面，不能生产/DECLARATION: ALL PRODUCT DRAWINGS WITHOUT THE PART NUMBER OR WITH “PRELIMINARY” LABEL ARE TEMPORARY DRAWINGS CAN NOT BE PRODUCED

REV. ECN NO.	DESCRIPTION	DATE	DESIGN
C ECN NO.	REVISE COVER	2019.07.06	PJF
D ECN NO.	MODIFY THE REEL SIZE	2019.12.14	SYJ



USB TYPE-C PIN ASSIGNMENTS

PIN NUMBER	SIGNAL NAME	PIN NUMBER	SIGNAL NAME
A1	GND	B12	GND
A2	SSTXp1	B11	SSRXp1
A3	SSTXn1	B10	SSRXn1
A4	Vbus	B9	Vbus
A5	CC1	B8	SBU2
A6	Dp1	B7	Dn2
A7	Dn1	B6	Dp2
A8	SBU1	B5	CC2
A9	Vbus	B4	Vbus
A10	SSRXn2	B3	SSTXn2
A11	SSRXp2	B2	SSTXp2
A12	GND	B1	GND

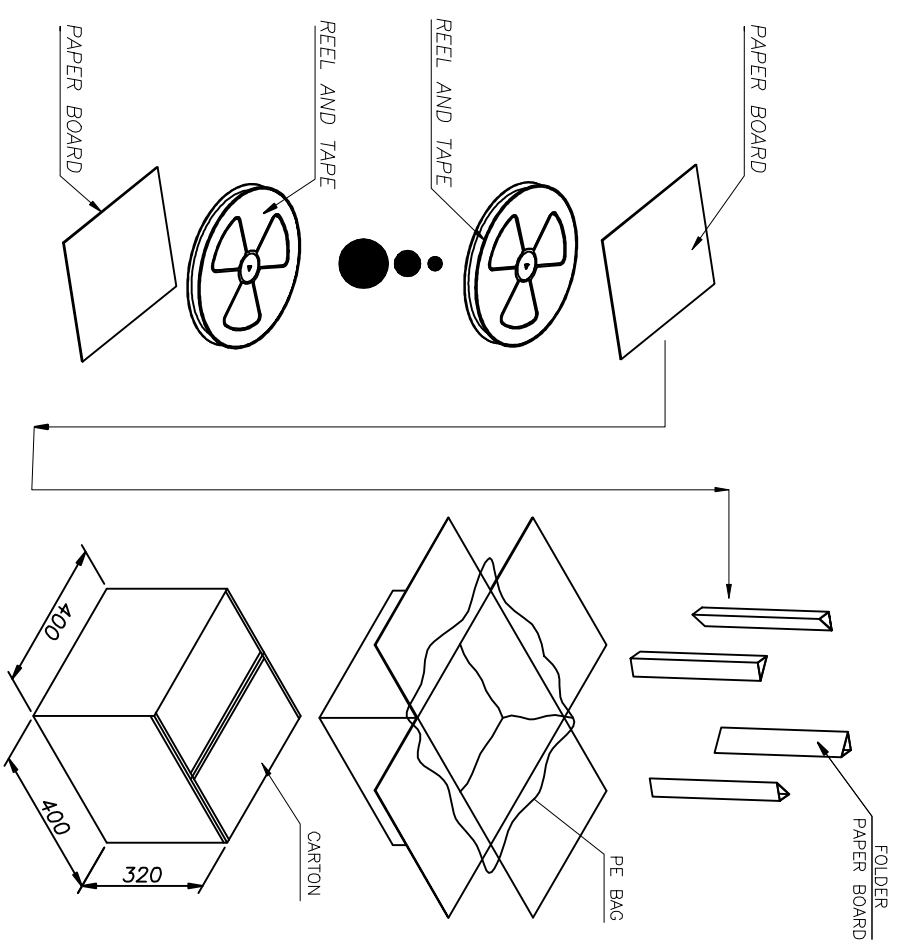
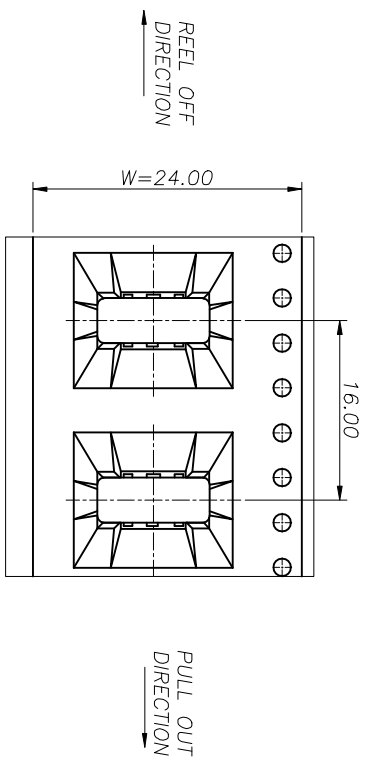
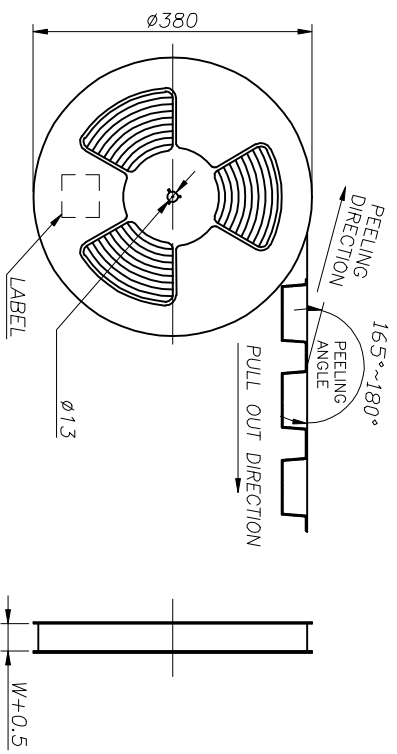
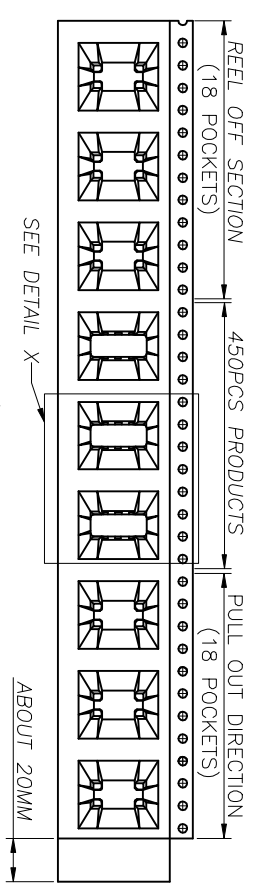


RECOMMENDED PCB LAYOUT(TOP VIEW)
THICKNESS 1.52;1.0MM;DEFAULT TOLERANCE:±0.05

TOLERANCE	NAME(INTENDED USE)	
XX ±0.30 X' ±10'	CUSTOMER DRAWING	
.XX ±0.20 X' ±8'	PART NO.	TITLE: USB CF VERTICAL(L=9.2) TAIL LENGTH=1.15MM
.XXX ±0.10 XX' ±5'	DESIGN: PJF	DRAWG NO. GAP-0141-067
UNITS mm	CHED:	SCALE SHEET REV.
MATERIALA	APPD:	1:1 2/3 D
FINISH		

申明：凡是没有产品料号或有“PRELIMINARY”标识的产品图均为临时图面不能生产/DECLARATION: ALL PRODUCT DRAWINGS WITHOUT THE PART NUMBER OR WITH “PRELIMINARY” LABEL ARE TEMPORARY DRAWINGS CAN NOT BE PRODUCED

REV.	ECN NO.	DESCRIPTION	DATE	DESIGN
C	ECN NO.	REVISE COVER	2019.07.06	PJF
D	ECN NO.	MODIFY THE REEL SIZE	2019.12.14	SYJ



TOLERANCE	NAME (INTENDED USE)	REEL/TRAY	CARTON
X.X ±0.30 X.X ±1.0°	PART NO.	450	4500
.XX ±0.20 .X ±.8°	CUSTOMER DRAWING		
.XXX ±0.10 .XX ±.5°			
UNITS mm	DESIGN: PJF		
MATERIALA	CHED:		
FINISH	APPD:		

TITLE: USB CF VERTICAL(L=9.2) TAIL LENGTH=1.15MM	
DRAWG NO. GAP-0141-067	SCALE SHEET REV. D
1:1	3/3