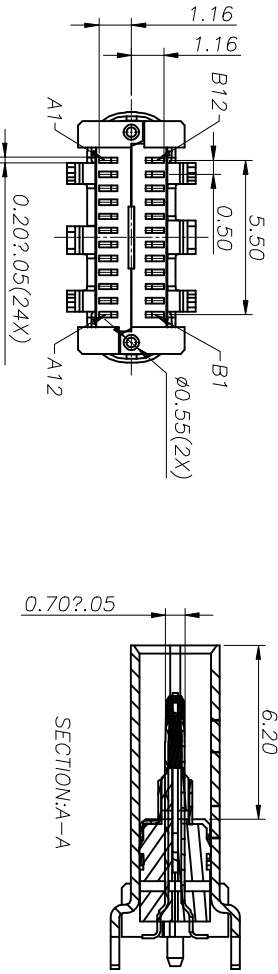
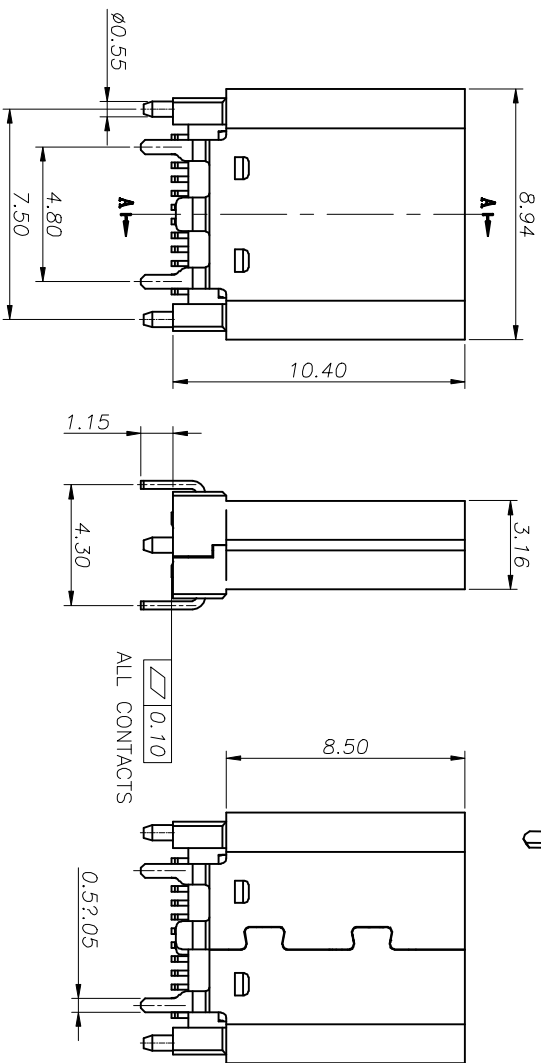
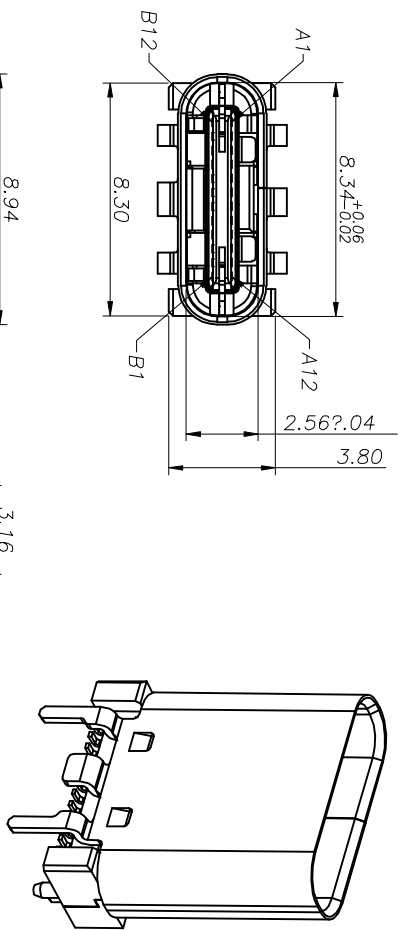


申明：凡是没有产品料号或有“PRELIMINARY”标识的产品图均为临时页面不能生产/DECLARATION: ALL PRODUCT DRAWINGS WITHOUT THE PART NUMBER OR WITH “PRELIMINARY” LABEL ARE TEMPORARY DRAWINGS CAN NOT BE PRODUCED

REV.	ECN NO.	DESCRIPTION	DATE	DESIGN
B1	ECN NO.	REVISE COVER	2019.08.14	PJF
C	ECN NO.	MODIFY THE REEL SIZE	2019.12.14	SYJ



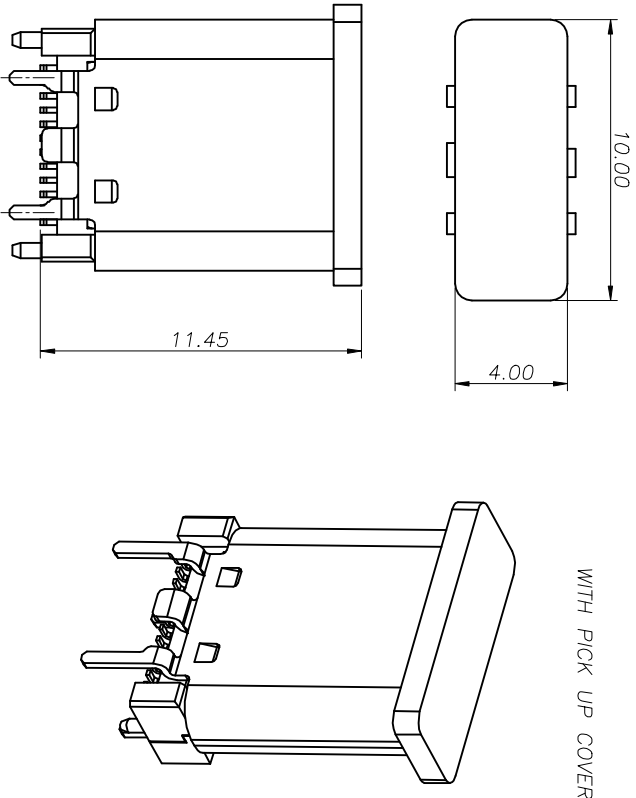
- NOTE:  
 1.MATERIAL SPECIFICATION:  
 1.HOUSING&COVER:HIGH TEMPERATURE PLASTIC(LCP),UL94 V-0.  
 2.CONTACTS:COPPER ALLOY(C1814)  
 3.MID PLATE:STAINLESS STEEL(SUS301)  
 4.FRONT SHELL:STAINLESS STEEL(SUS304)  
 5.EMI PLATE:STAINLESS STEEL(SUS301)  
 2.PLATING SPECIFICATION:  
 2-1.CONTACTS:  
 Ni 50u" MIN. UNDER PLATED OVER ALL.  
 Au PLATED ON THE FUNCTIONAL AREA OF CONTACT.  
 (GOLD PLATING THICKNESS FOLLOW THE P/N)  
 PLATING SPECIFICATIONS OF THE SOLDER AREA FOLLOW THE P/N  
 2-2.FRONT SHELL:  
 PLATING SPECIFICATIONS FOLLOW THE P/N  
 2-3.MID PLATE&EMI PLATE:  
 CLEAR ONLY  
 3.MECHANICAL PERFORMANCE,  
 3-1.INSERTION FORCE: 0.5~2.0kgf.  
 3-2.REMOVAL FORCE: 0.8kgf~2.0kgf.  
 3-3.DURABILITY: 10000 CYCLES.  
 4.ELECTRICAL PERFORMANCE,  
 4-1. CURRENT RATING:5.0A  
 VOLTAGE RATING:5.0V  
 4-2. LCR:  
 VBUS & GND PINS AND OTHER PINS: 40mΩ/PIN MAX.  
 SHIELD: 50mΩ/MAX.  
 LCR MAX. CHANGE OF ALL PINS: 10mΩ.  
 4-3.INSULATION RESISTANCE: 100MΩ MIN  
 4-4.DIELECTRIC WITHSTAND VOLTAGE,AC 100V FOR 1 MINUTE.  
 5. ENVIRONMENTAL PERFORMANCE:  
 OPERATING TEMPERATURE: -25ℳ~+85ℳ.  
 6.IR REFLOW:  
 THE PEAK TEMPERATURE ON THE BOARD SHALL  
 BE MAINTAINED FOR 10 SECONDS AT 260°C.

TOLERANCE		NAME(INTENDED USE) CUSTOMER DRAWING		TITLE:USB CF VERTICAL(L=10.4) TAIL LENGTH=1.15MM	
XX ±0.30	XX ±10°	PART NO.		DRAWG NO. GAP-0141-066	
.XX ±0.20	.X ±8°	DESIGN: PJF			
XXX ±0.10	.XX ±5°	CHED:		SCALE	SHEET
UNITS mm		APPD:		1:1	1/3
MATERILA				REV.	C
FINISH					



申明：凡是没有产品料号或有“PRELIMINARY”标识的产品图均为临时页面不能生产/DECLARATION: ALL PRODUCT DRAWINGS WITHOUT THE PART NUMBER OR WITH “PRELIMINARY” LABEL ARE TEMPORARY DRAWINGS CAN NOT BE PRODUCED

REV. ECN NO.	DESCRIPTION	DATE	DESIGN
B1 ECN NO.	REVISE COVER	2019.08.14	PJF
C ECN NO.	MODIFY THE REEL SIZE	2019.12.14	SVJ



USB TYPE-C PIN ASSIGNMENTS

PIN NUMBER	SIGNAL NAME	PIN NUMBER	SIGNAL NAME
A1	GND	B12	GND
A2	SSTXp1	B11	SSRXp1
A3	SSTXn1	B10	SSRXn1
A4	VBUS	B9	VBUS
A5	CC1	B8	SBUS2
A6	Dp1	B7	Dn2
A7	Dn1	B6	Dp2
A8	SBU1	B5	CC2
A9	VBUS	B4	VBUS
A10	SSRXn2	B3	SSTXn2
A11	SSRXp2	B2	SSTXp2
A12	GND	B1	GND

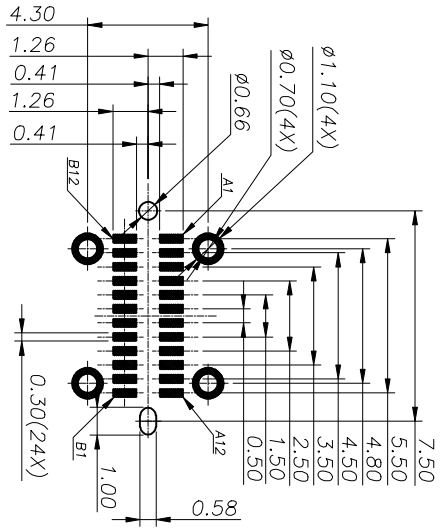
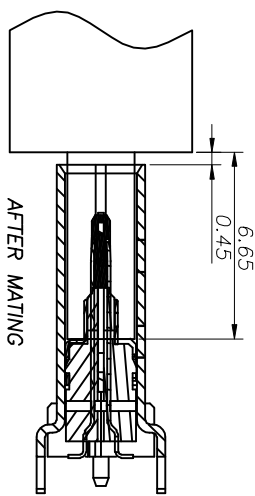


TABLE 1

ITEM	P/N	HOUSING COLOR	NATURE	FUNCTIONAL AREA	SOLDER AREA	SHELL PLATING
1	014100020-066		NATURE	Au:3u"	Sn	Ni
2	014101040-066		BLACK	Au:15u"	Sn	Ni
3	014101020-066		BLACK	Au:3u"	Sn	Ni
4	014106020-052		NATURE	Au:3u"	Au	Ni

RECOMMENDED PCB LAYOUT(TOP VIEW)  
THICKNESS 1.52; 10MM-DEFAULT TOLERANCE:2.05

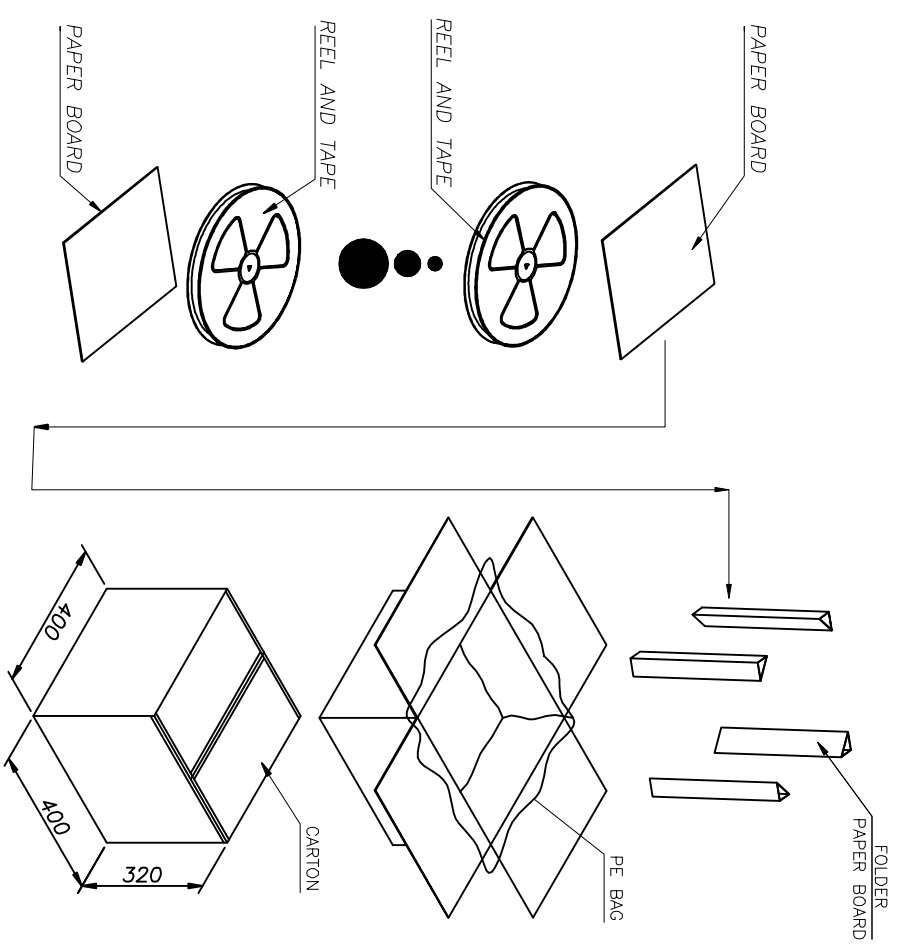
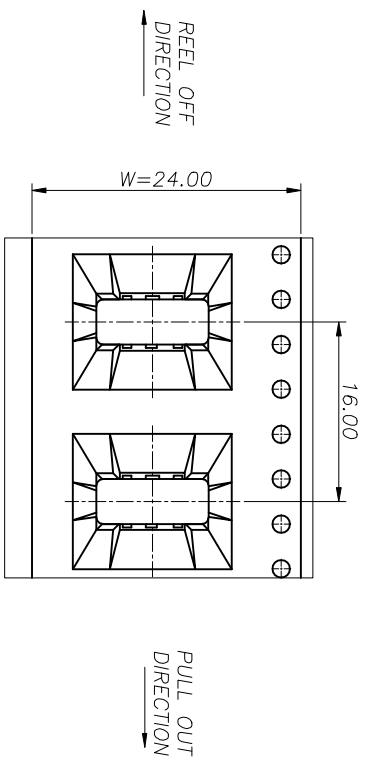
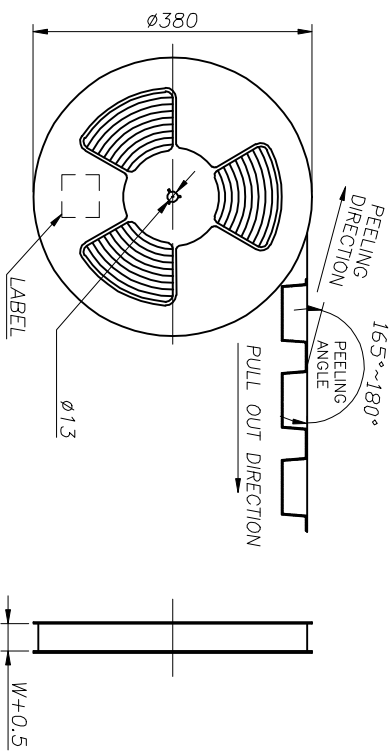
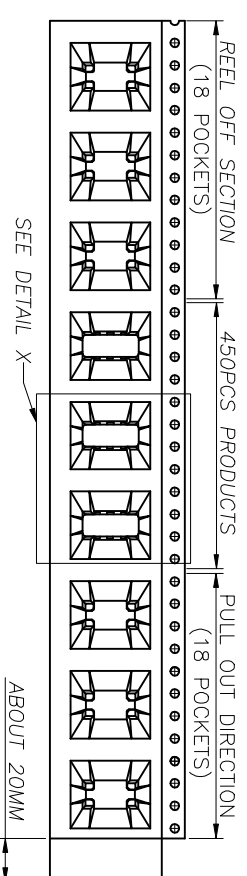
TOLERANCE  
NAME(INTENDED USE)  
CUSTOMER DRAWING



XX ±0.30 X: ±10°	PART NO.	TITLE:USB CF VERTICAL(L=10.4)
.XX ±0.20 X: ±8°	DESIGN: PJF	TAIL LENGTH=1.15MM
.XXX ±0.10 XX: ±5°	CHEG:	DRAWG NO. GAP-0141-066
UNITS mm	APPD:	SCALE SHEET REV.
MATERILA		1:1 2/3 C
FINISH		

申明：凡是没有产品料号或有“PRELIMINARY”标识的产品图均为临时页面不能生产/DECLARATION: ALL PRODUCT DRAWINGS WITHOUT THE PART NUMBER OR WITH “PRELIMINARY” LABEL ARE TEMPORARY DRAWINGS CAN NOT BE PRODUCED

REV.	ECN NO.	DESCRIPTION	DATE	DESIGN
B1	ECN NO.	REVISE COVER	2019.08.14	PJF
C	ECN NO.	MODIFY THE REEL SIZE	2019.12.14	SYJ



TOLERANCE		NAME (INTENDED USE)	
X.X ±0.30	X.X ±1.0°	PART NO.	
.XX ±0.20	.X ±.8°	CUSTOMER DRAWING	
.XXX ±0.10	.XX ±.5°	DESIGN: PJF	
UNITS	mm	CHED:	
MATERIAL		APPD:	
FINISH			
CONNECTOR (PCS)		REEL/TRAY	CARTON
		450	4500
TITLE: USB CF VERTICAL (L=10.4)		TAIL LENGTH=1.15MM	
DRAWG NO.		GAP-0141-066	
SCALE		1:1	
SHEET		3/3	
REV.		C	

**Goldconn**